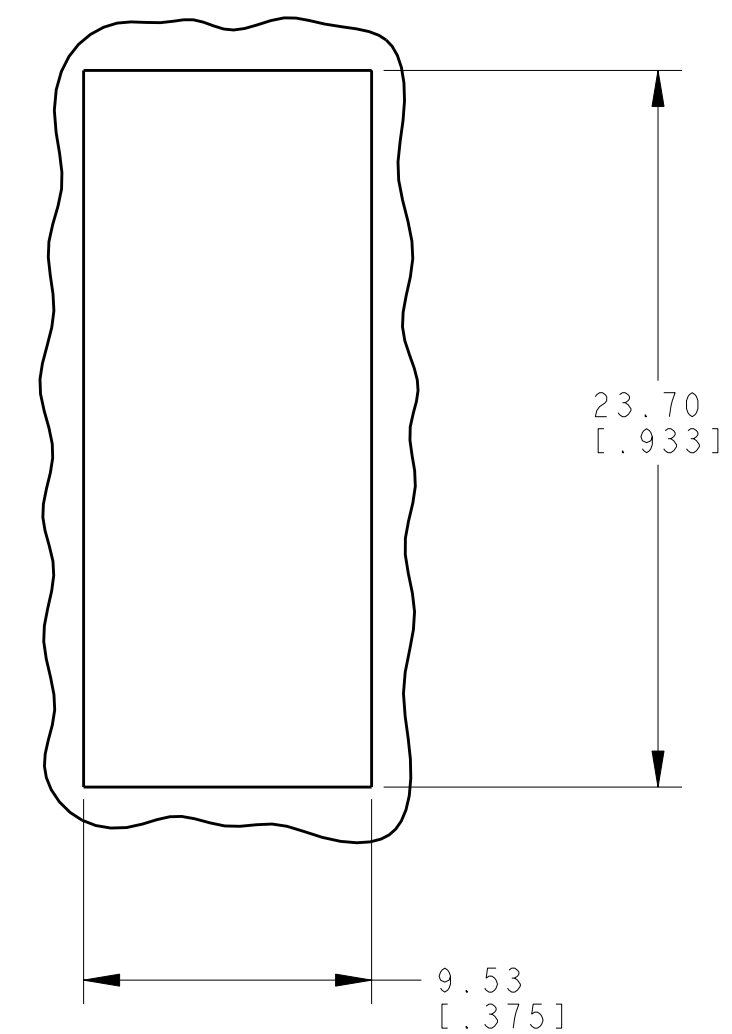
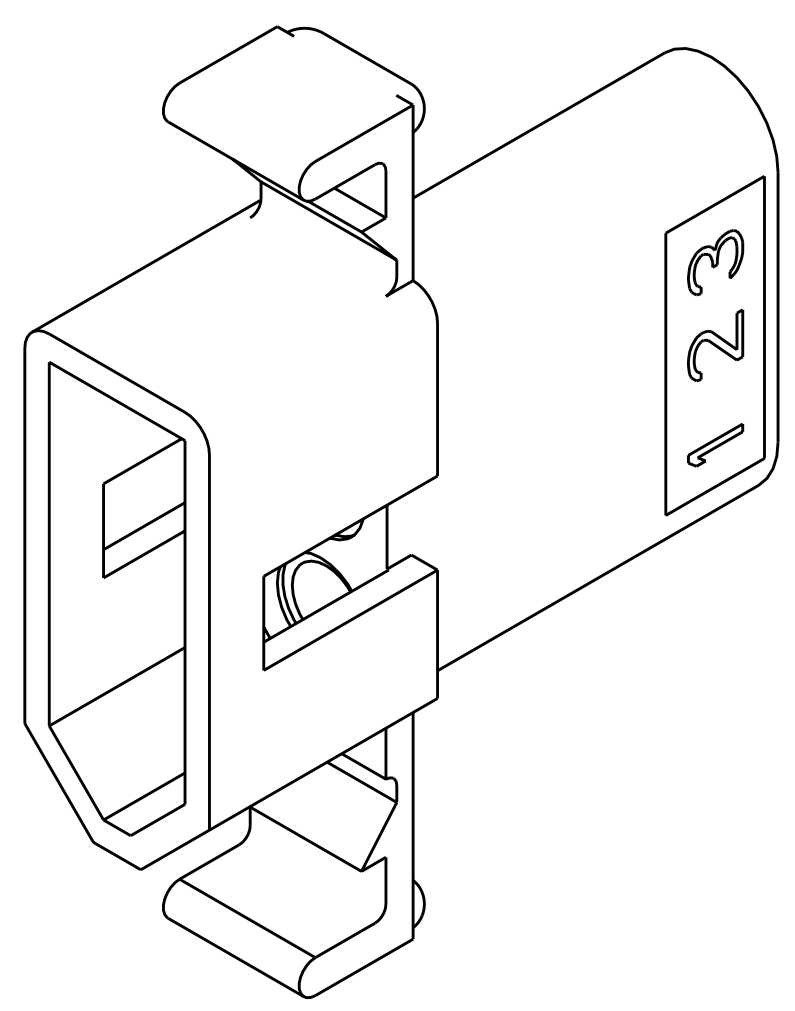
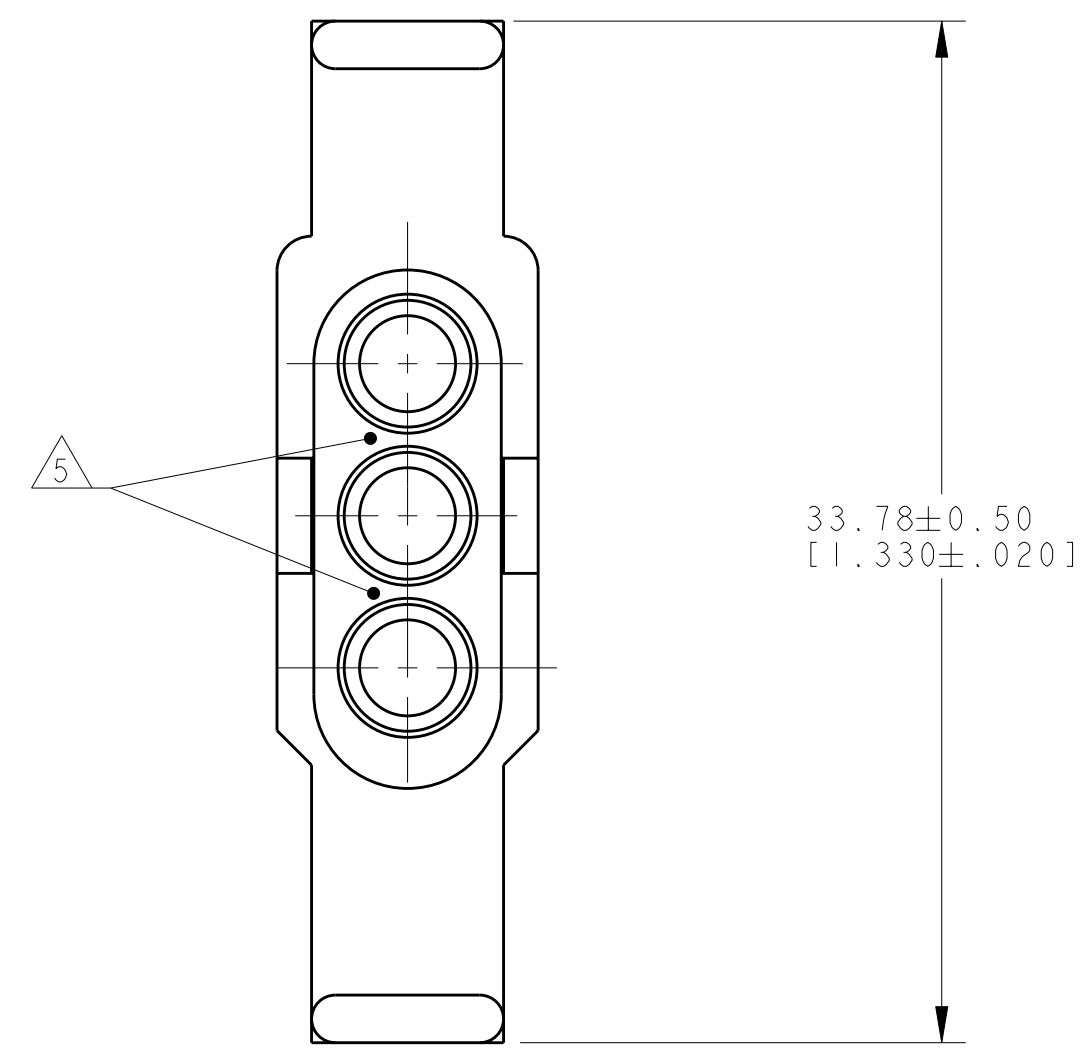
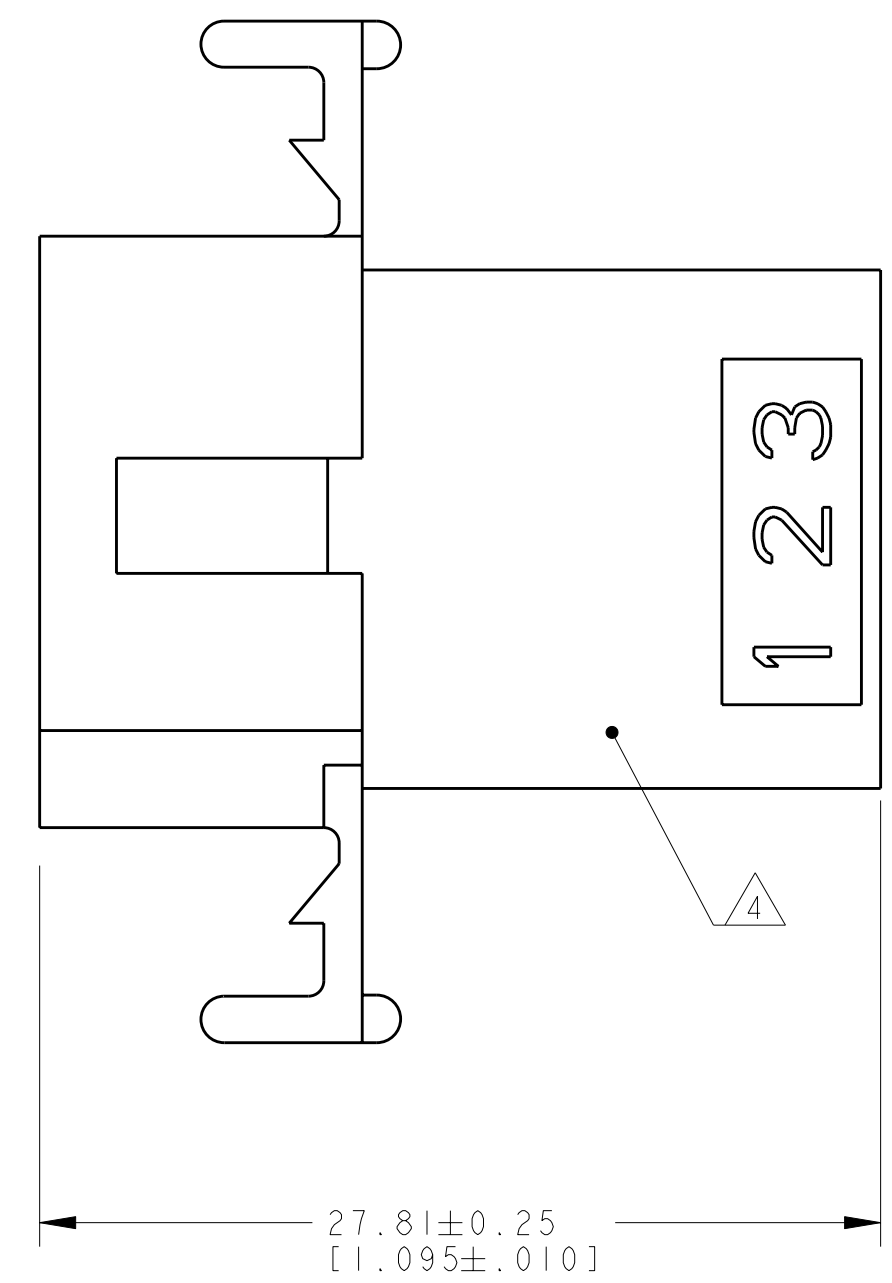
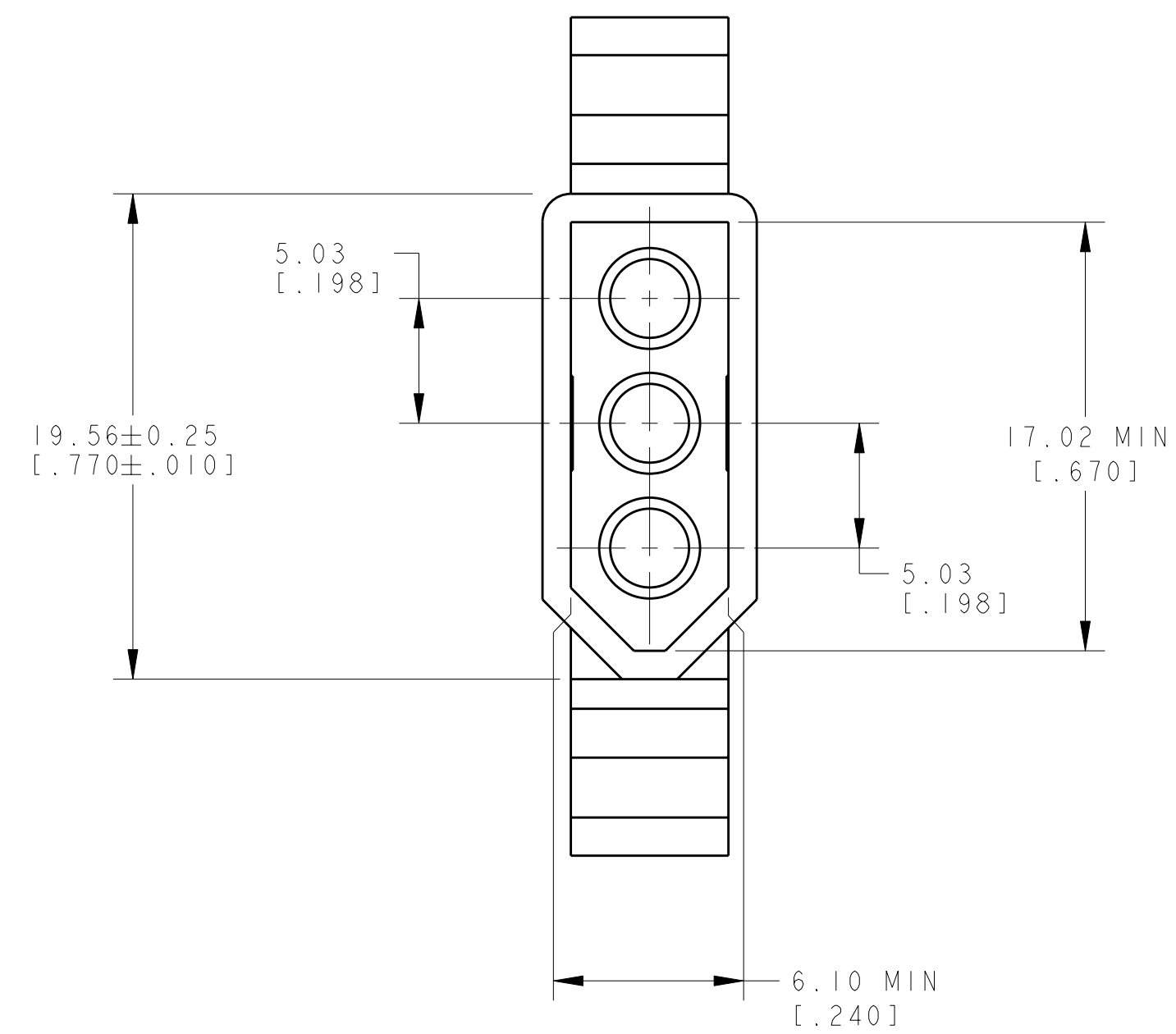


LOC	DIST	REVISIONS			
CM	00	REV	DATE	DWN	APVD
		N	REVIS PER 063B-0540-04	05AUG04	KW DC
		NI	REVIS PER ECO-06-008661	19JUL06	KW DC
		P	REVIS PER ECO-06-019951	28AUG2006	KW DC

- 1. MATERIAL: NYLON UL94V-2 (NATURAL).
- 2. RECOMMENDED PANEL THICKNESS 2.29 [.090] MAX.
- 3. MARKING FOR UL AND CSA LOGO SHALL BE LOCATED ON ANY EXTERNAL SURFACE.
- 4. AMP LOGO AND CIRCUIT NUMBERS LOCATED IN AREA, EITHER SIDE, SIZE OPTIONAL, FROST BACKGROUND.
- 5. WALL THICKNESS TO MEASURE 0.36-0.51 [.014-.020]



RECOMMENDED PANEL CUT OUT

METRIC

770073-1
PART NUMBER

<small>THIS DRAWING IS UNPUBLISHED. RELEASED FOR PUBLICATION. ALL RIGHTS RESERVED. THIS DRAWING IS UNPUBLISHED. RELEASED FOR PUBLICATION. ALL RIGHTS RESERVED.</small>		DWN: R. WHITAKER CHK: D. COLEY APVD: D. COLEY	05AUG2004 05AUG2004 05AUG2004	tyco Electronics Tyco Electronics Harrisburg, PA 17105-3608
DIMENSIONS: mm [INCHES]	TOLERANCES UNLESS OTHERWISE SPECIFIED: 9 PLC ± 8 PLC ±0.13 [1.005] 5 PLC ± 4 PLC ± ANGLES ±40° 30'	NAME: PRODUCT SPEC: APPLICATION SPEC: WEIGHT:	NAME: PRODUCT SPEC: APPLICATION SPEC: WEIGHT:	PLUG, 3 CIRCUIT, .093 COMMERCIAL PIN AND SOCKET
MATERIAL: -	FINISH: -	SIZE: A	CAGE CODE: 100779	DRAWING NO: C=770073
CUSTOMER DRAWING		SCALE: 4:1	SHEET: 1 OF 1	REV: P